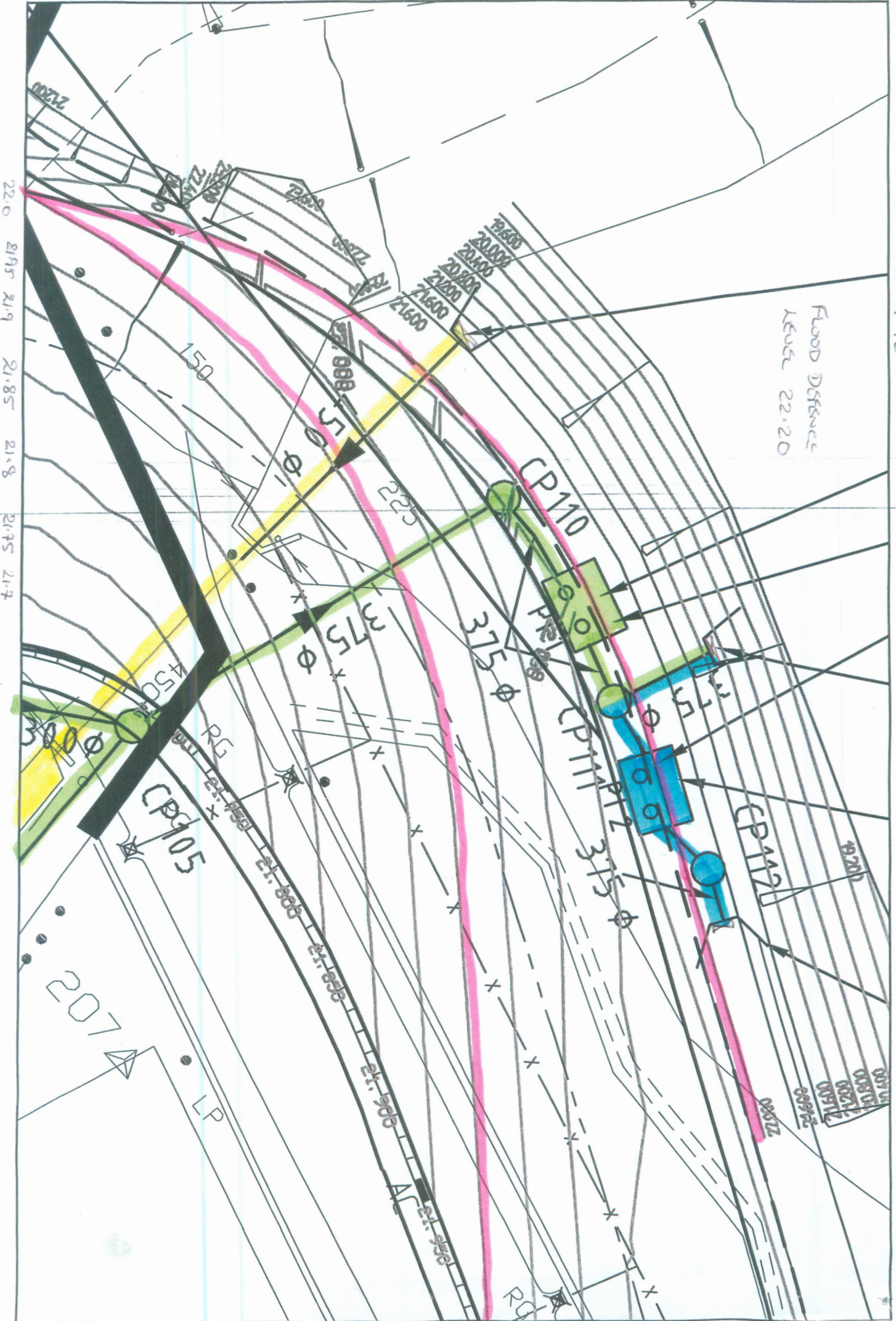


LAKE OUTFLET  
INSET 19.96

NEW DAMAGED INLET  
INSET 20.81

FLOOD DISTANCE  
KENT 22.20



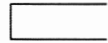
22.0 21.9 21.85 21.8 21.75 21.7

207

LP

RD

T: 01603 488700 | E: sales@althon.co.uk



Home

News

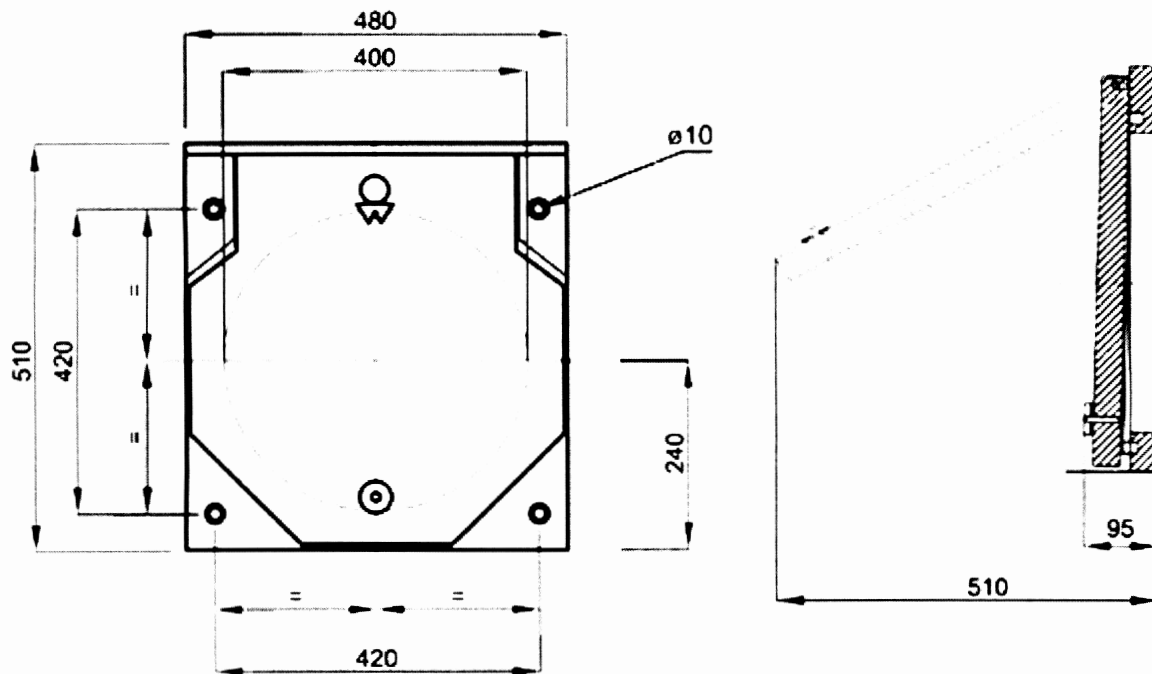
Downloads

Literature Request

<< Flap Valves << Flow Control Flood Prevention << << Flap Valves 100-500 HDPE

### Althon HDPE 400mm Flap Valve

Althon HDPE Flap Valves can be used in Surface, Sewer and Process Water applications. They are a Simple and Hig system. Our Flap Valves are manufactured in HDPE and Stainless Steel 316. Althon HDPE Flap Valves are Lightweig Easy to Install, Responsive and very Reliable. Our standard HDPE Flap Valves start at 100mm in diameter. We wou Please visit the Bespoke HDPE Flap Valve section of our website.



[PDF Download](#)

[CAD Download](#)

[Datasheet Downlo](#)

Valve plate and back plate are manufactured in HDPE. The hinge pin and ballast weight are manufactured in SS316 sealing system is made up of an EPDM seal set in the back plate. The valve plate is installed at an angle in relation

**Please note this drawing is not to scale and is for use as a visual representation.**

Dimensions shown are in millimetres.